

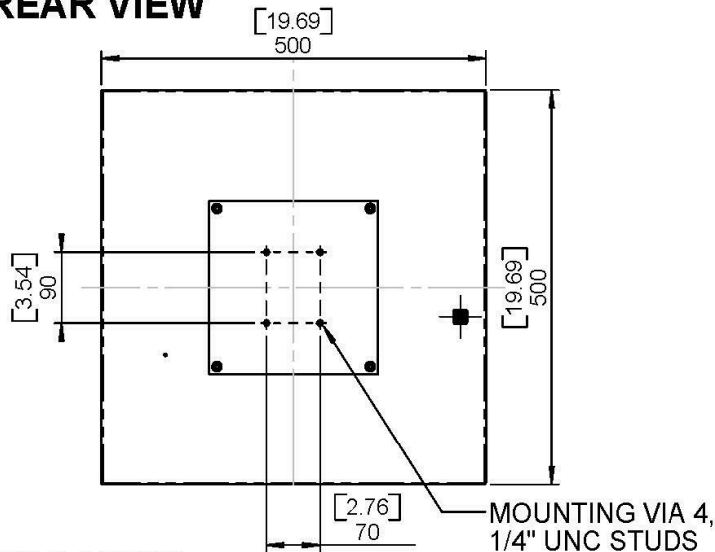
HUGHES®

FLAT PANEL ANTENNA

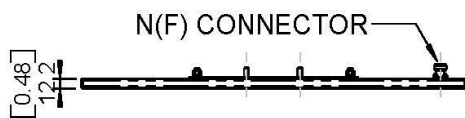
Part Number: 9501286-0001

FREQUENCY:	1.5250 - 1.6605 GHz	GAIN:	15.1 dBi Rx, 15.2 dBi Tx Nom. Including 10m Cable
POLARISATION:	R.H. Circular	BEAMWIDTH:	22° (Az.) x 22° (El.) Approx
AXIAL RATIO:	3 dB Worst Case on Boresight	FRONT TO BACK:	>30 dB
POWER RATING:	10 W	MASS:	1.7 Kg / 3.7 lbs Excl. Bracket
TEMPERATURE:	-50° to +60°C Operating, -50° to +80°C Storage	WIND LOADING:	Will survive 100mph/160kph winds
VSWR:	<1.5 : 1		
FINISH:	Painted White		

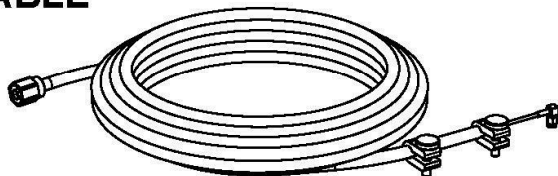
REAR VIEW



TOP VIEW

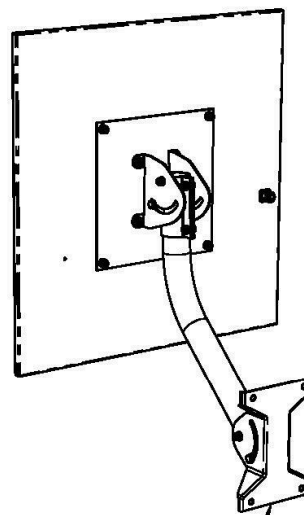


CABLE



ALL COMPONENTS USED IN THE ANTENNA AND ACCOMPANYING KIT ARE COMPLIANT WITH THE RoHS DIRECTIVES

PICTORIAL VIEW



OPTIONAL HNS MOUNTING BRACKET

Antenna supplied with ϕ 10.0mm flexible cable, terminated with N(M) connector and short length of ϕ 3.0mm flexible cable with SMA(M) right angle connector. Also supplied with strain relief mechanism and SMA to MCX adapter for attachment to the User Terminal.

Overall length = 10.0m Nominal
Insertion loss @ 1.542 GHz = 2.0 dB

DIMENSIONS: mm (inches) H
GA: 1275 - 1 Issued: 280906